

Option – J0489

EXIT IN PLAITED HU1800

Operation Manual

Introduction	2
Caution	2
DISCLAIMER OF WARRANTY	2
On this operation manual	2
Attention	2
Safety precautions	3
Symbols.....	3
Installation of this option	5
Installation location	5
Part name and function	6
Overall	6
EXIT IN PLAITED HU1800	7
Operation panel	9
About media	10
Available media size	10
Set a media	11
Media route.....	13
Print out	14
Automatic operation	14
User maintenance	14
Troubleshooting	14
Media cannot be folded appropriately	14
Specifications	15

Introduction

Thank you for purchasing the "EXIT IN PLAITED HU1800" option for the ML Tiger-1800B series color inkjet printer.

EXIT IN PLAITED HU1800 is an option exclusively for ML Tiger-1800B series to fold media fed from the printer main unit.

As usual, it can wind into a roll.

Caution

DISCLAIMER OF WARRANTY

THIS LIMITED WARRANTY OF MIMAKI SHALL BE THE SOLE AND EXCLUSIVE WARRANTY AND IS IN LIEU OF ALL OTHER WARRANTIES, EXPRESS OR IMPLIED, INCLUDING, BUT NOT LIMITED TO, ANY IMPLIED WARRANTY OF MERCHANTABILITY OR FITNESS, AND MIMAKI NEITHER ASSUMES NOR AUTHORIZES DEALERS TO ASSUME FOR IT ANY OTHER OBLIGATION OR LIABILITY, OR MAKE ANY OTHER WARRANTY, OR MAKE ANY OTHER WARRANTY IN CONNECTION WITH ANY PRODUCT WITHOUT MIMAKI'S PRIOR WRITTEN CONSENT.

THE SAME SHALL APPLY WHEN MIMAKI WAS ADVISED OF THE POSSIBILITY OF SUCH DAMAGES.

IN NO EVENT SHALL MIMAKI BE LIABLE FOR SPECIAL, INCIDENTAL OR CONSEQUENTIAL DAMAGES, OR FOR LOSS OF PROFITS OF DEALER OR CUSTOMERS OF ANY PRODUCT.

On this operation manual

- This manual describes the operation and maintenance of "EXIT IN PLAITED HU1800" (hereinafter referred to as this option).
- Read carefully and fully understand it before using this option. It is also necessary to keep this operation manual on hand.
- Make arrangement to deliver this operation manual to the person in charge of the operation of this option.
- You can also download the latest manual from our website.

Attention

- Although this operation manual has been carefully prepared for your easy understanding, please do not hesitate to contact your local distributor or our sales office if you have any inquiry.
- The contents of this operation manual are subject to change for improvement without notice.












Reproduction of this manual is strictly prohibited.
© Mimaki Engineering Co., LTD.
All Rights Reserved. Copyright

Safety precautions

Symbols

In this document, symbols are used for explaining the contents of cautions on operation. The symbol to be displayed differs depending on the caution content. Understand the meaning of each symbol and use this unit safely and correctly.

Example of symbol

Description		
	Warning	Failure to observe the instructions given with this symbol can result in death or serious injuries to personnel. Be sure to read it carefully and use the printer properly.
	Caution	Failure to observe the instructions given with this symbol can result in minor or medium injuries to personnel.
	General Warning	This symbol indicates that the items shown need to be noted. Specific notes are drawn in the figure  .
	General Mandatory Action	This symbol indicates that the action shown must be executed. Specific instruction is drawn in the figure  .
	General Prohibition	This symbol indicates that the action shown is prohibited. Specific action that is prohibited is drawn in the figure  .
	Important	Important notes for the use of this printer are given with this symbol. Understand the notes thoroughly to operate the printer properly.
	Hint	Useful information is given with this symbol. Understand the notes thoroughly to operate the printer properly.
	Reference	This symbol indicates the reference page for related contents. Click the text to display the corresponding page.

Warning on use



Warning



- The set of power cables provided with this option is for use with this option only, and cannot be used with other electrical devices. Do not use any power cables other than the ones provided with this option. Otherwise, it could cause a fire or electric shocks.
- Take care not to damage, break or work upon the power cable. If a heavy material is placed on the power cable, or if it is heated or pulled, the power cable can break, thus resulting in a fire or electric shocks.
- Avoid using in humid places. Also, do not splash water on this option. Otherwise, a fire, electric shocks, or product breakdown may result.
- Use of this option under an abnormal condition where it produces smoke or strange smell can result in a fire or electric shocks. If such an abnormality is found, be sure to turn Off the power switch immediately and unplug the cable from the wall outlet. Check first that this option no longer produces smoke, and then contact your distributor or our sales office for repair. Never repair this option by yourself, as it is dangerous.
- Never disassemble or modify this option. It could cause electric shocks or breakage.
- Do not use extension cables. Otherwise, it could cause a fire or electric shocks.
- Keep the power plug prong clear of any foreign object such as a piece of metal. Failure to do so may result in a fire or electric shocks.
- Do not plug too many leads into a single socket. Otherwise, it could cause a fire or electric shocks.
- If the power cable is damaged, exposed core wire, disconnection, etc., contact your service representative for replacement. If used as it is, it may cause a fire or electric shocks.
- Do not handle the power plug with wet hands. It could cause electric shocks.
- Grasp by holding the plug itself when removing the power plug from wall outlet, and never hold by the cable. Holding and pulling the cable may damage the cable, leading to a fire or electric shocks.
- Do not use this option with the voltage other than the indicated one. Otherwise, it could cause a fire or electric shocks.
- Do not use this option with the power frequency other than the indicated one. It could cause a fire or electrical shocks.
- Do not place your fingers or other parts of your body close to the dangerous moving parts.
- If a foreign object such as a small piece of metal or a liquid such as water gets inside this option, turn off this option. After that be sure to unplug the power plug from the outlet and consult your, service representative. If used as it is, it may cause a fire or electric shocks.



- Do not use the combustible spray or flammable solvent nearby or inside of this option. Otherwise, it could cause a fire or electric shocks.
- Do not put a vase, flowerpot, glass, cosmetics, medicine, container which water was in, or small metal thing in the top and near this option. When some spills over or enters inside of this option, it could cause a fire or electric shocks.

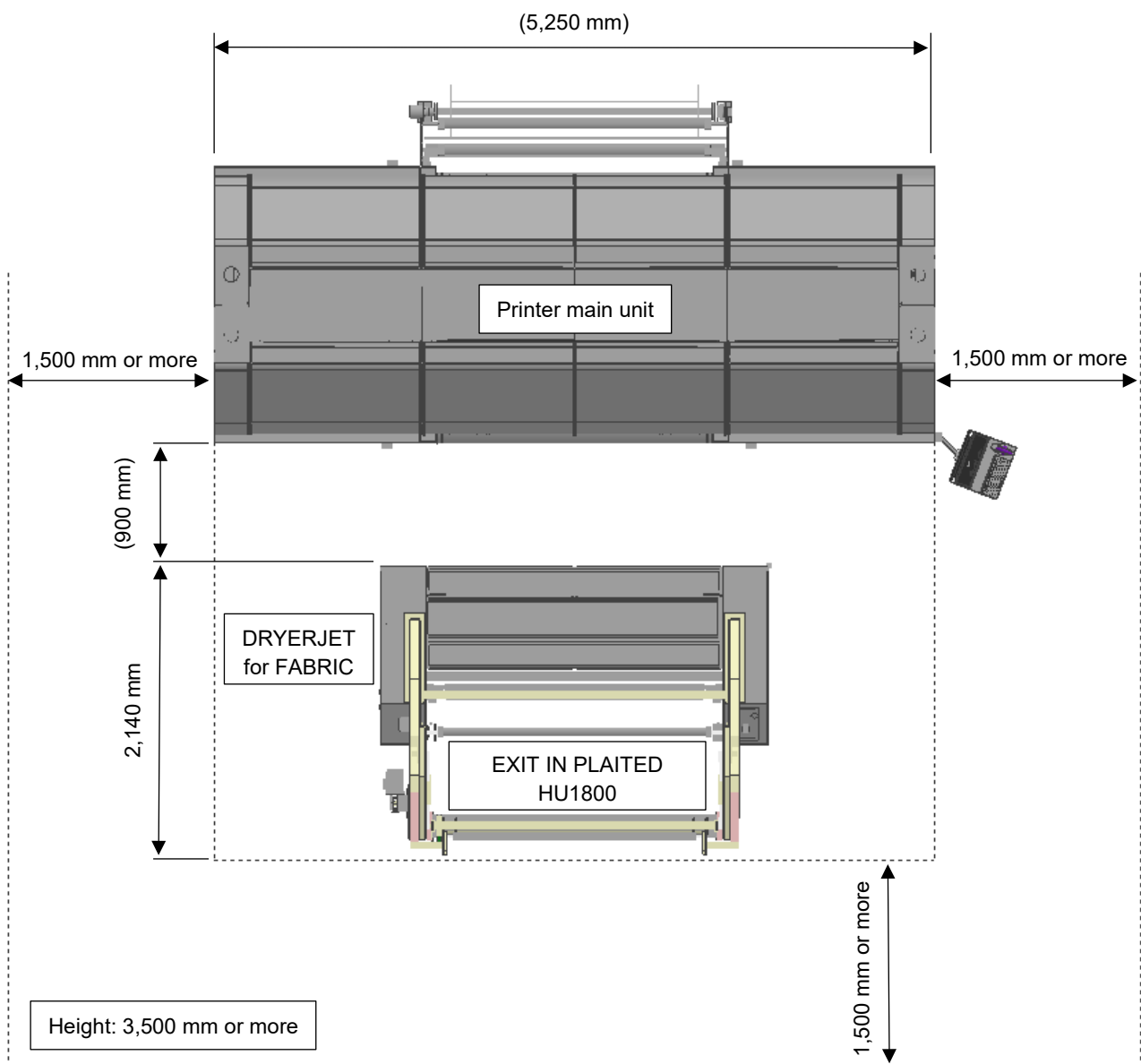
Installation of this option

Installation location

This option is for the ML Tiger-1800B series (hereinafter referred to as the printer main unit), and is an option kit dedicated to Tiger for folding media fed from the printer main unit.

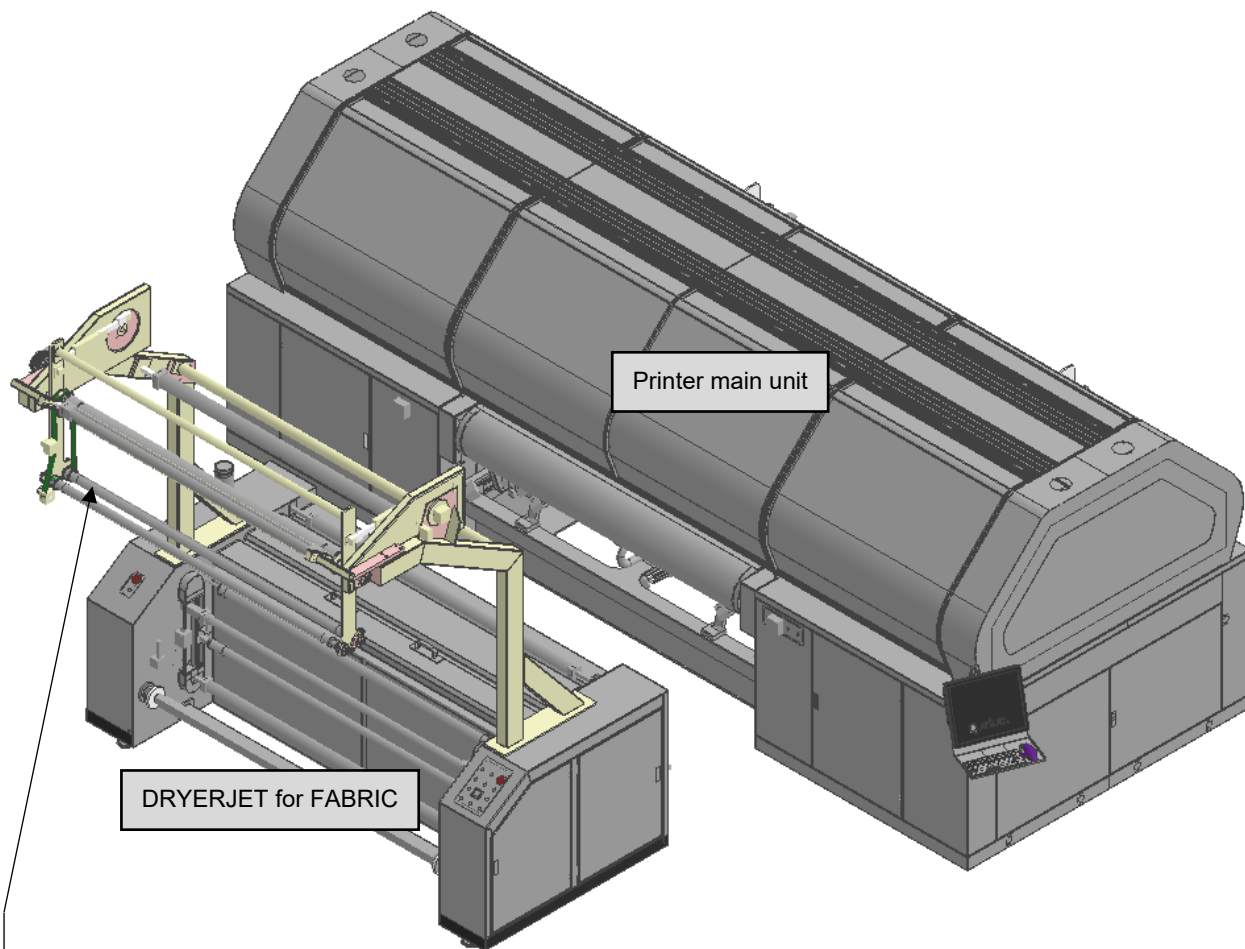
The space required when this option is installed is shown in the figure below.

Determine the installation location considering the size of the printer main unit when this option is installed and the space required for printing.



Part name and function

Overall



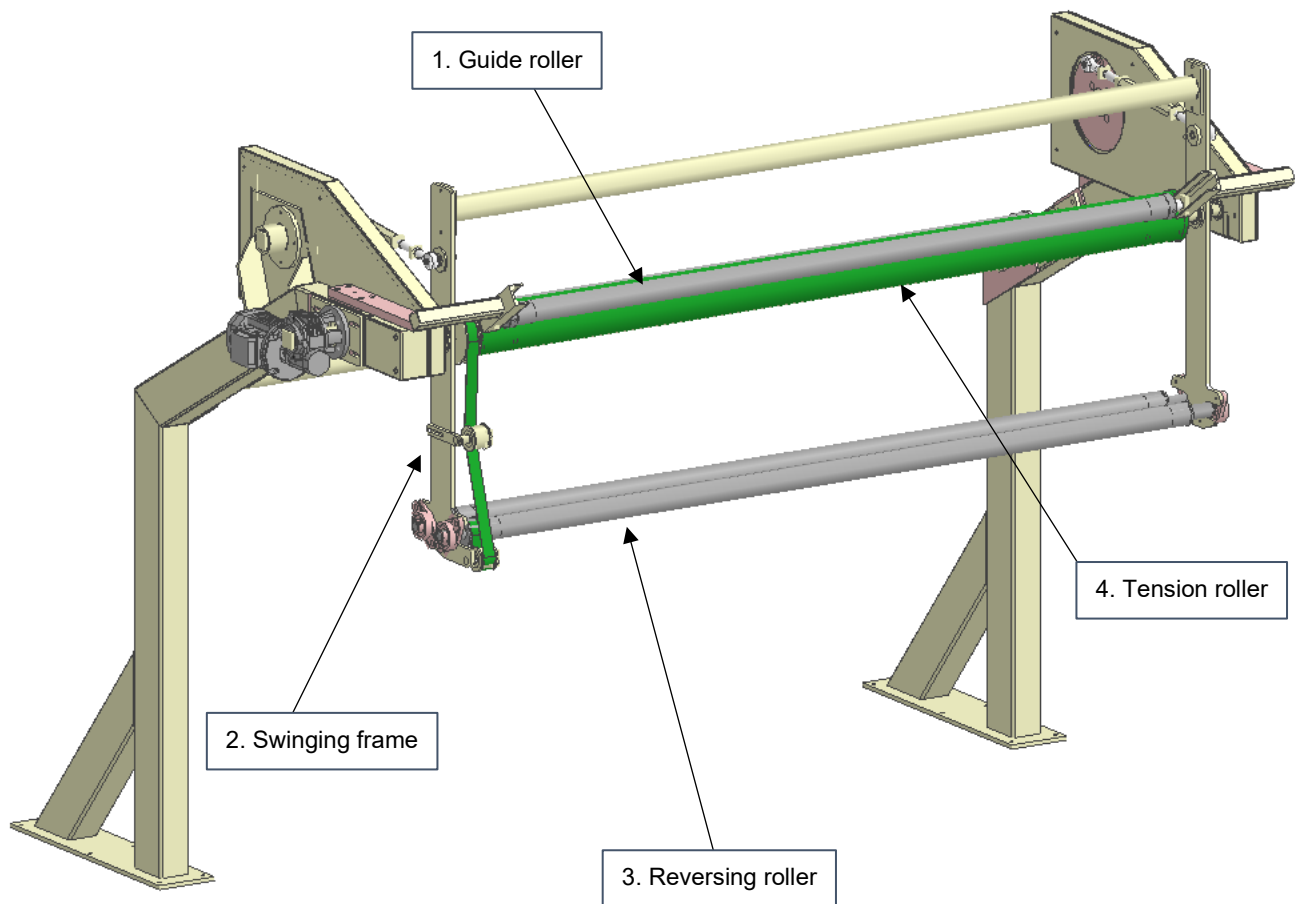
EXIT IN PLAITED HU1800

Media folding unit

The equipment included in this option is as follows.

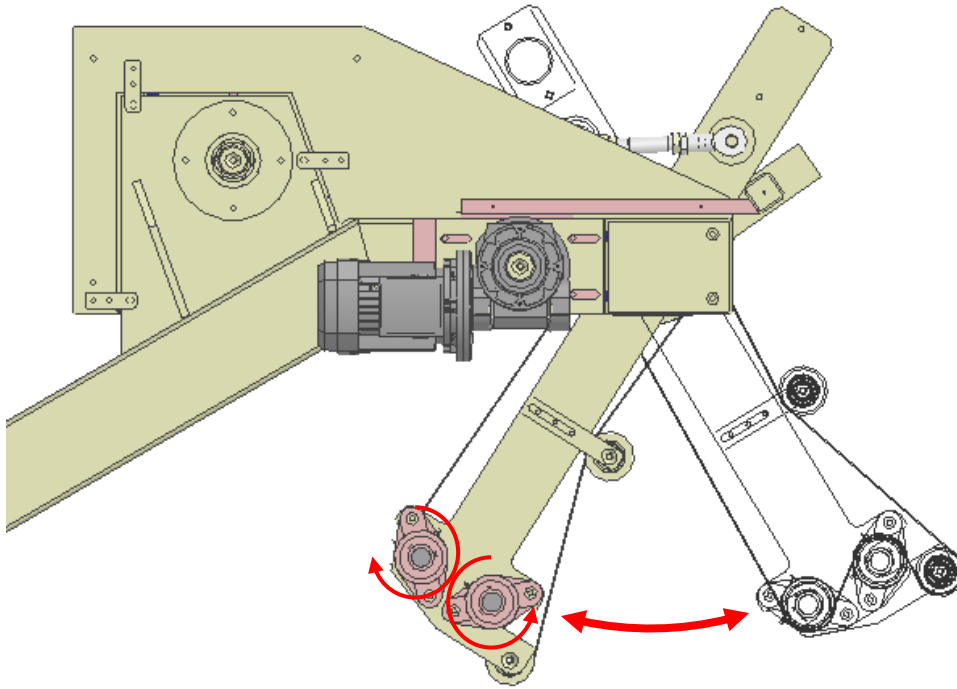
- EXIT IN PLAITED HU1800 ··· 1 unit

EXIT IN PLAITED HU1800



No.	Name	Function
1	Guide roller	Transfers the driving force by pressing the media against the tension roller.
2	Swinging frame	Swing the reversing roller back and forth.
3	Reversing roller	The opposite roller rotates in the opposite direction, so the media smoothly passed between the rollers.
4	Tension roller	The roller for applying tension to media and winding the media

- When the motor rotates, the tension roller and the reversing roller rotate, and at the same time, the swinging frame swings back and forth.
- Movement is synchronized with the movement of the DRYERJET tension bar. All are interlocked, so individual movements cannot be stopped.



Operation panel



Roll / Plaited switch button



- For the switches other than the “Roll / Plaited switch” button, refer to the operation manual of the printer main unit.

About media

This section describes the media sizes that can be used.

Available media size

Maximum media width	1,890 mm
Minimum media width	500 mm
Media thickness	5 mm or less
Printing speed	Based on the printer main unit

Set a media

This section mainly describes changes to the media setting method that are caused by using this option. For the basic media setting method in the printer main unit and DRYERJET, refer to the operation manual of the printer main unit.



- Use a stepladder, etc. for work at height, and be careful not to fall.



- When winding media on a paper core, there is no change from before. Refer to the operation manual of the printer main unit.

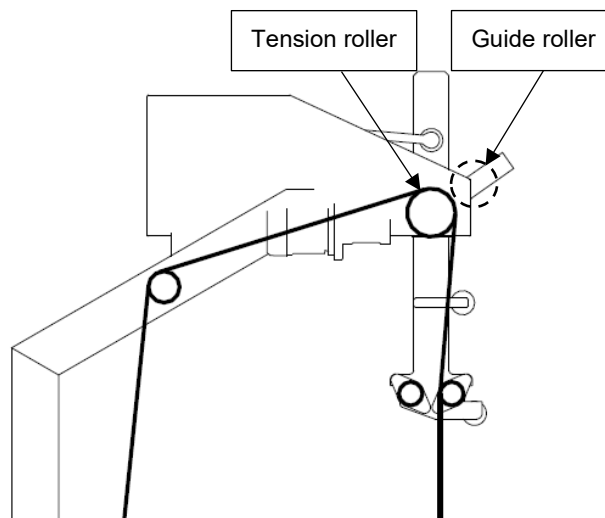
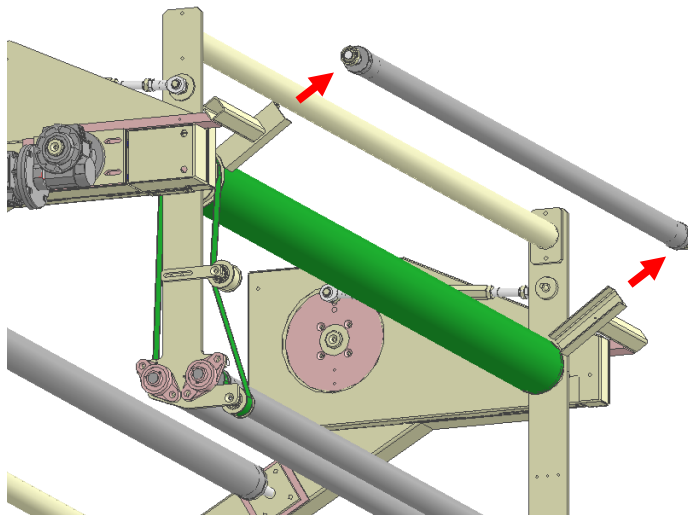
1

Pass the media between the tension roller and the guide roller.

- Lift the guide roller at the top of this option and set the media.
- Weight: about 11 kg



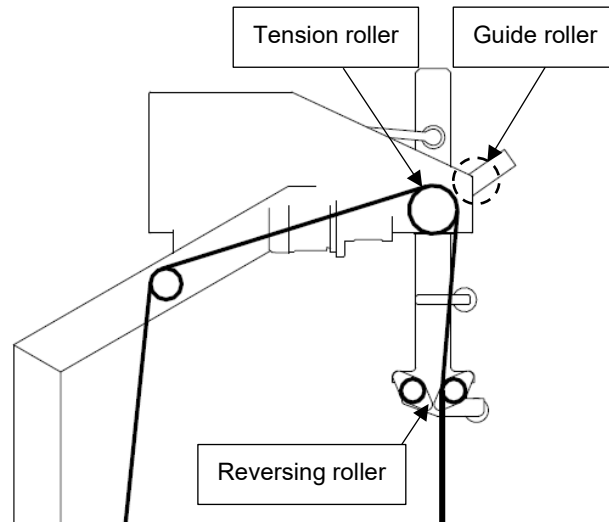
- It is heavy. Work with two people.
- Be careful not to pinch your hands or fingers.



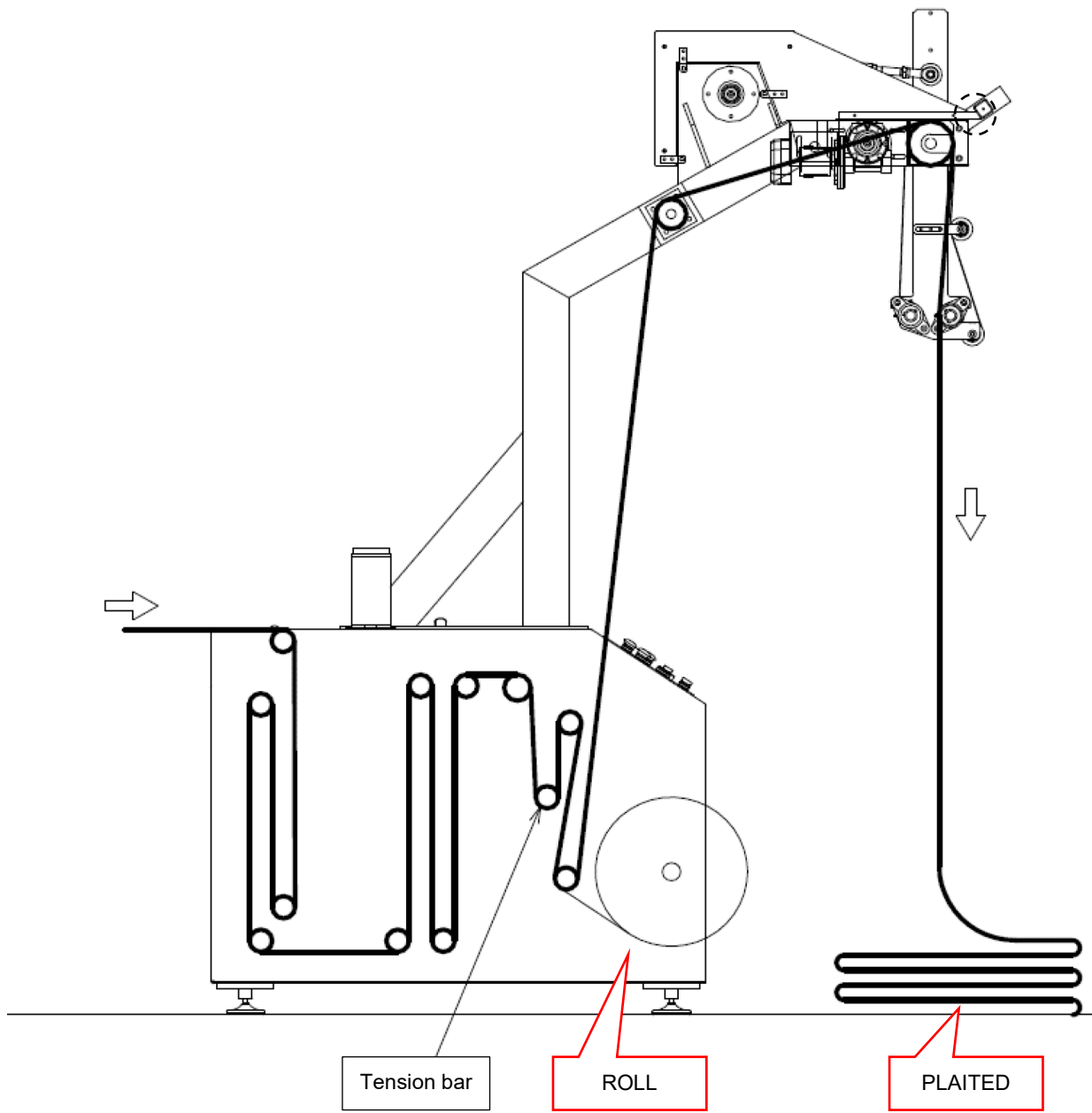
2

Drop the media from between the reversing rollers.

- Pass the media along the route shown.
- Correct any folds or wrinkles as appropriate.



Media route



Print out

Automatic operation

1

Set the operation panel.

- Operate the roll /plaited selector switch at the lower right of the operation panel to select whether the operation panel is rolled or folded.
 - In the case of a roll, it is wound by DRYERJET.
 - In the case of folding, it is plaited with this option.

2

Start automatic operation.

- Start printing by operating the printer main unit.

User maintenance

User maintenance should be taken according to the frequency of use or on a regular basis so that you can keep using this option for a long time.

- If the exterior of this option becomes dirty, wipe it off with a soft cloth which contains water or a diluted neutral detergent after squeezing it well.
- Remove lint and dry ink as soon as possible.
In particular, the surface of the tension roller is lined with a non-slip surface, making it easy to lint.
- Check that the rotating parts work smoothly. If you feel any unusual noise or vibration, contact your dealer or our sales office.

Troubleshooting

Media cannot be folded appropriately

- The media will be affected by the wind, so make sure that the air from the air conditioner does not directly hit the media.
- Due to the structure of this option, the media cannot be folded properly.

Specifications

Item	Specifications
Overall length	1,800 mm *
Overall width	2,650 mm *
Overall height	1,865 mm *
Weight	305 kg
Operating environment	Compliant with the printer main unit
Power	Supplied from DRYERJET

* This option only

